

BLOCKS

1,2,3,4,5,6,7,8,9,10,
11,12,13,14,A,B,C,D,E,

G,H,I,K,L,M,O

GRAVES: 3'10" x 10'0"

1	1
2	2
3	3
4	4
5	5
6	6
1	1
2	2
3	3
4	4
5	5
6	6

SECTIONS 5,6

GRAVES: 4'0" x 10'0"

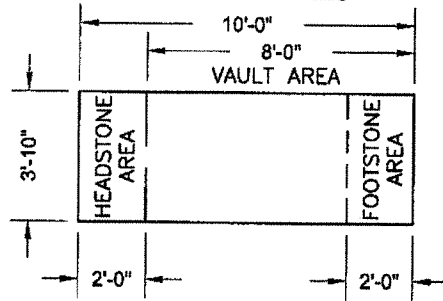
1	1	4'0" WALKWAY	1	1
2	2		2	2
3	3		3	3
4	4		4	4
1	1		1	1
2	2		2	2
3	3		3	3
4	4		4	4

SECTIONS 15,16,17

GRAVES: 4'0" x 12'0"

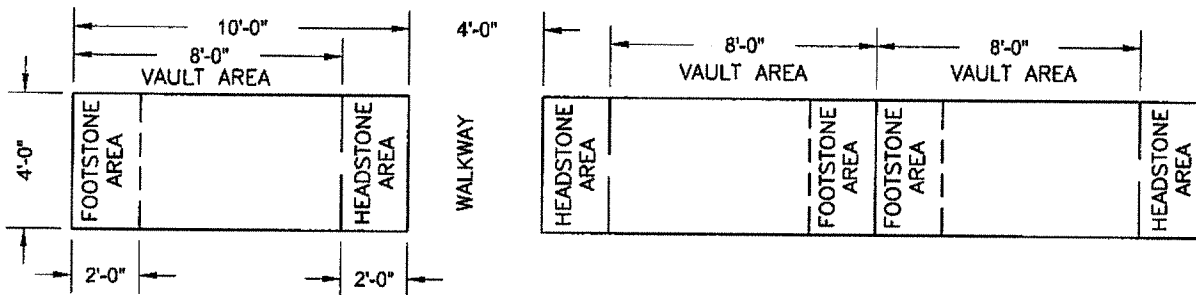
1	1
2	2
3	3
4	4
5	5
6	6
1	1
2	2
3	3
4	4
5	5
6	6

BLOCKS
1,2,3,4,5,6,7,8,9,10,
11,12,13,14,A,B,C,D,E,
G,H,I,K,L,M,O



NOTE: FOOTSTONE MAY NOT BE INSTALLED BEFORE INTERNMENT.

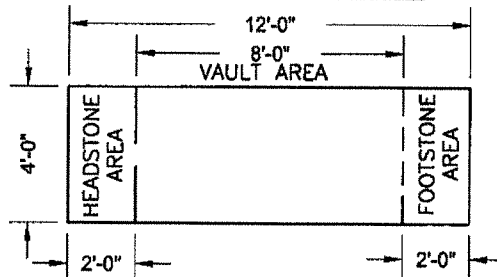
SECTIONS 5,6



NOTES:

1. FOOTSTONE MAY NOT BE INSTALLED BEFORE INTERNMENT.
2. ONLY FLAT MARKERS ARE PERMITTED IN SECTIONS 5 & 6.

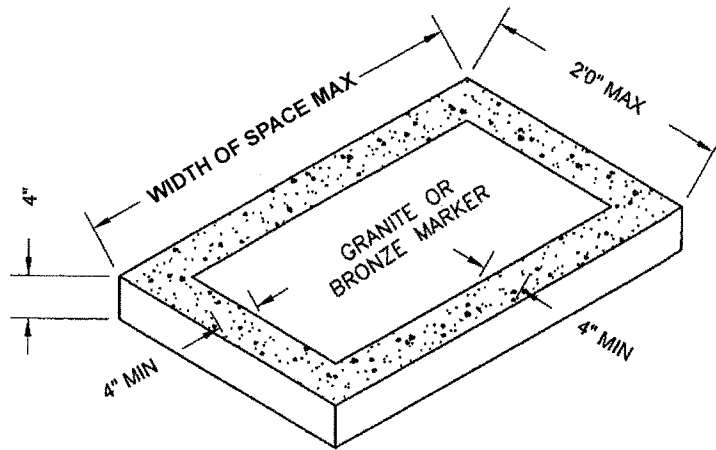
SECTIONS
15,16,17,18,19,20



NOTE: FOR ALL SECTIONS STANDARD GRAVE OPENING IS 3'0" WIDE X 8'0" LONG.

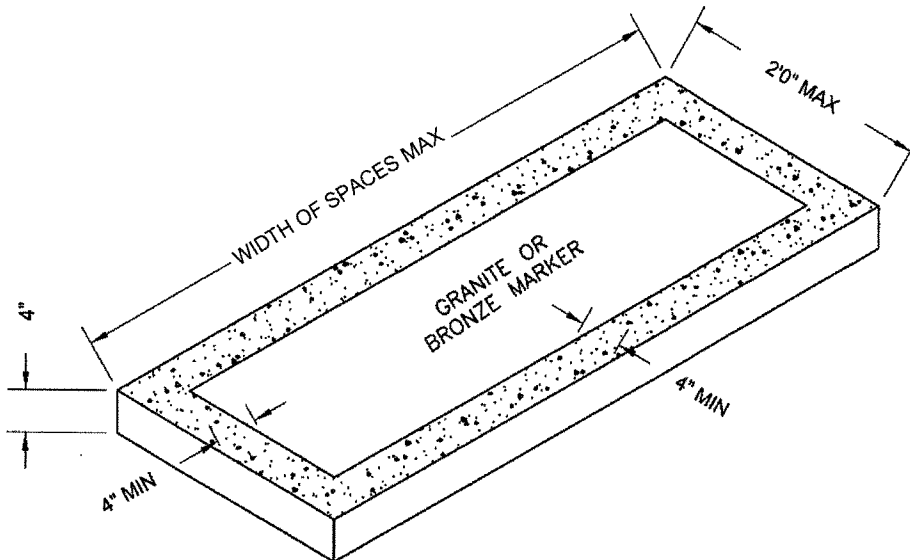
GRAVE DETAILS
CITY CEMETERY
BENSON, MINNESOTA

GRAVE MARKER DETAILS—SINGLE



GRAVE MARKER DETAILS—DOUBLE

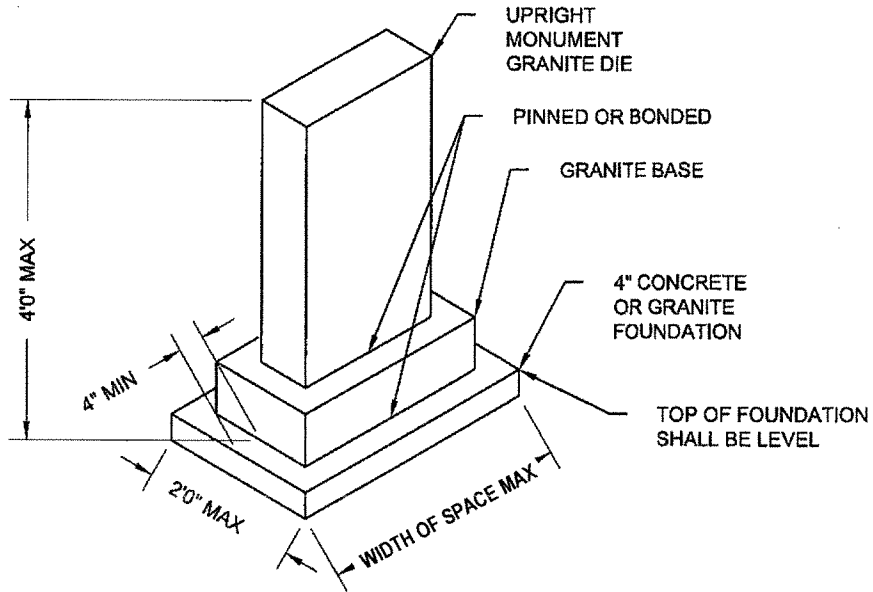
NOTE: REQUIRES AT LEAST 2 ADJACENT GRAVE SPACES



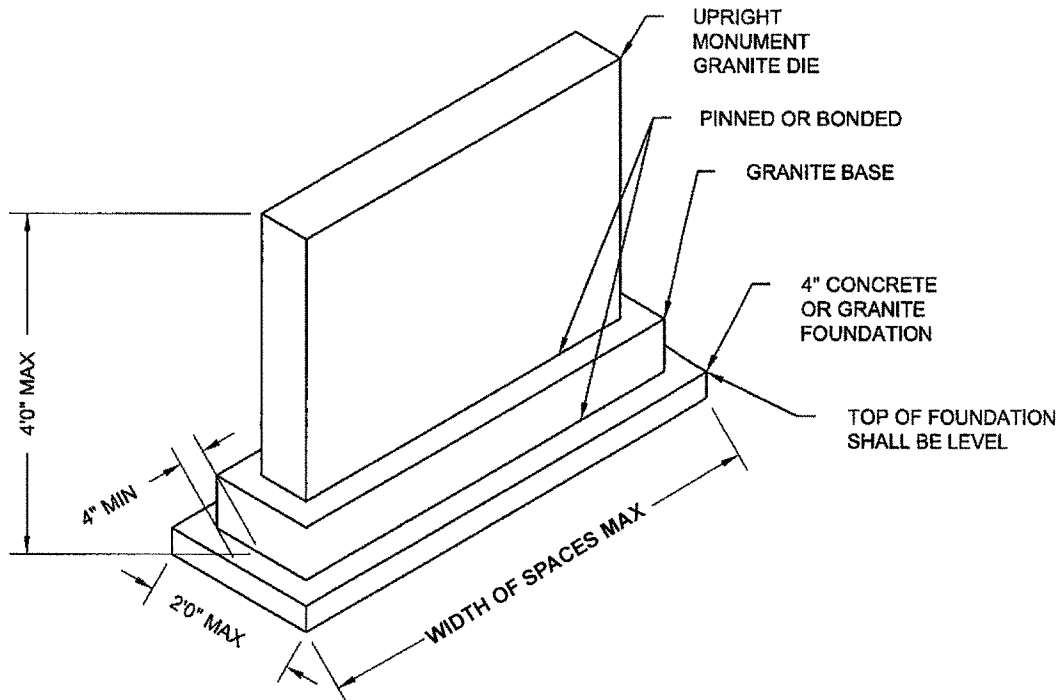
NOTE: MARKERS SHALL BE LAID FLUSH WITH THE EXISTING GROUND COVER.
ADDING FILL MATERIAL TO MAKE THE MARKER LEVEL IS NOT ALLOWED.

**GRAVE MARKER DETAILS
CITY CEMETERY
BENSON, MINNESOTA**

SINGLE GRAVE SPACE



DOUBLE OR MULTIPLE GRAVE SPACE



NOTE: MAXIMUM ALLOWABLE DIMENSIONS ARE SHOWN

**MONUMENT DETAILS
CITY CEMETERY
BENSON, MINNESOTA**